

Multiglaze® Suite Virtue of Simplicity

Criterion Industries

Northcorp Industry Park
15 Corporate Place
Broadmeadows Victoria 3047

Telephone 03 9355 0700
Facsimile 03 9355 0777

sales@criterionindustries.com.au
www.criterionindustries.com.au



Multiglaze Suite

The Multiglaze suite provides design flexibility whilst maintaining a streamlined appearance. Designed to suit 13mm plasterboard, the suite is available to suit 51 and 64mm stud thicknesses.

Sturdy door frame design through the use of the 'Bracing track' creates firm and secure frames, which accommodate a range of door thicknesses.

This system is also well suited for silicone butt-jointed glass partitioning. Installation is simplified, resulting in a more permanent office division with added privacy, security and acoustic benefits.

Specifications and photos of the Multiglaze 80 and 90 suites are contained within this brochure.

Take a look inside and discover the 'virtues of simplicity'.



Multiglaze 80

Virtue of simplicity.

The Multiglaze 80 incorporates 51mm stud and 13mm plasterboard. This streamline suite provides an economical and flexible option which can be used to develop the office environment. The slim frame is used around window and door frames, simplifying the installation procedure.

Features of the Multiglaze 80

- Designed to suit 51mm stud and 13mm plasterboard;
- Suites CAB-2 polyester insulation for acoustic benefits
- Streamline; and
- Glazing pocket incorporates 6mm to 10mm glass.





Multiglaze 90

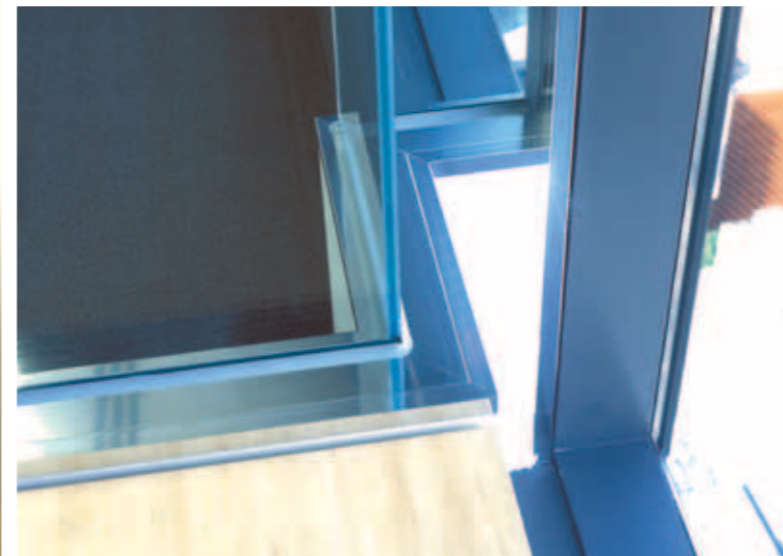
Virtue of simplicity.

The Multiglaze 90 incorporates 64mm stud and 13mm plasterboard. This suite offers an extensive variety of glazing including centre, offset or double glazed options, which can be used together or independently, providing added design versatility.

The offset allows vertical blinds to be hung and retained within the frame without protruding into the room space. The double-glazed option allows slimline blinds to be installed within the cavity, combined with acoustic benefits.

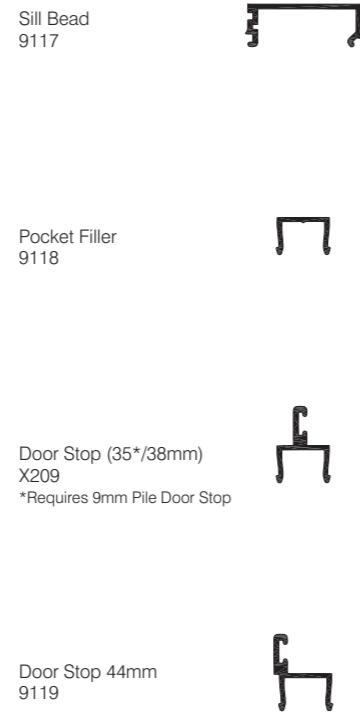
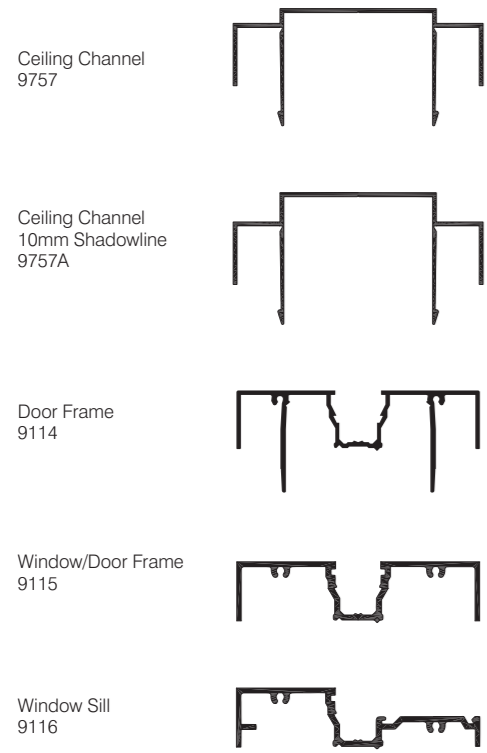
Features of the Multiglaze 90
Provides two plasterboard options:
– 64mm studs with a single skin of 13mm plasterboard on either side of the stud
– 51mm studs with a double skin of 13mm plasterboard on one side of the stud and a single skin on the other
• Offers acoustic performance
• Estimated sound rating for solid plasterboard walls.
RW 35 – (without insulation)

RW 40 – (with CAB3 Polyester Insulation);
• Glazing pocket incorporates 6mm to 10mm glass;
• Door Stop options allow for 35mm or 44mm doors; and
• Suits CAB-3 polyester insulation.

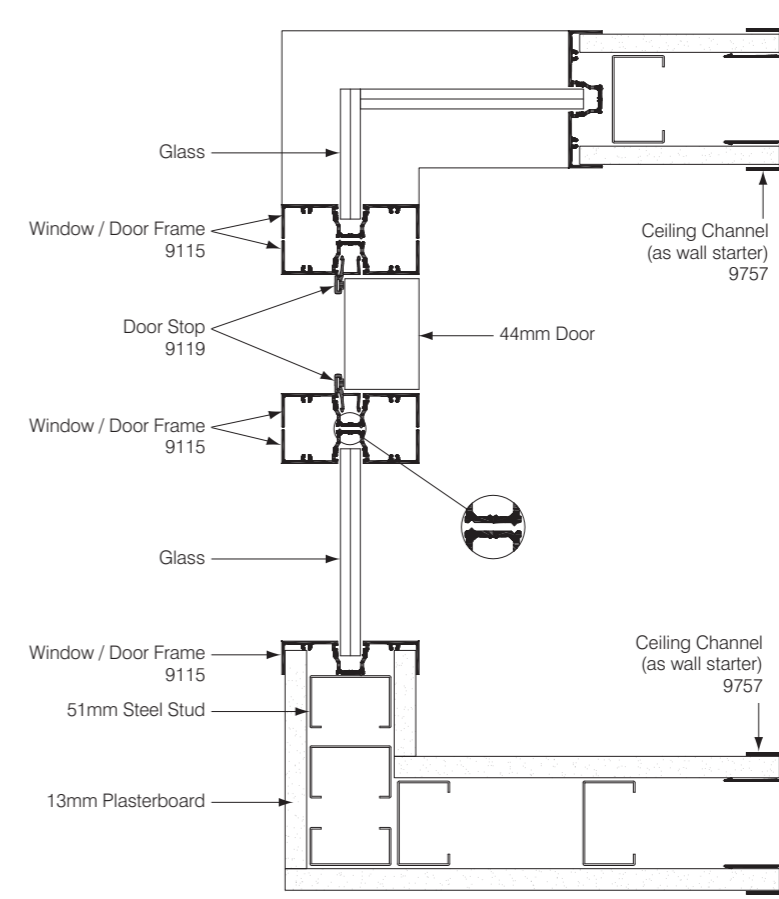


Multiglaze 80

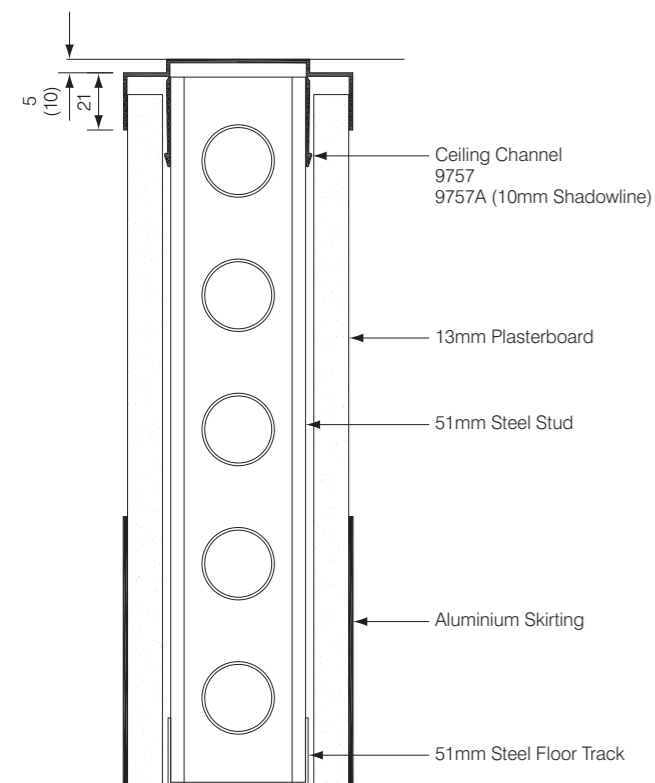
To suit 51mm Studs



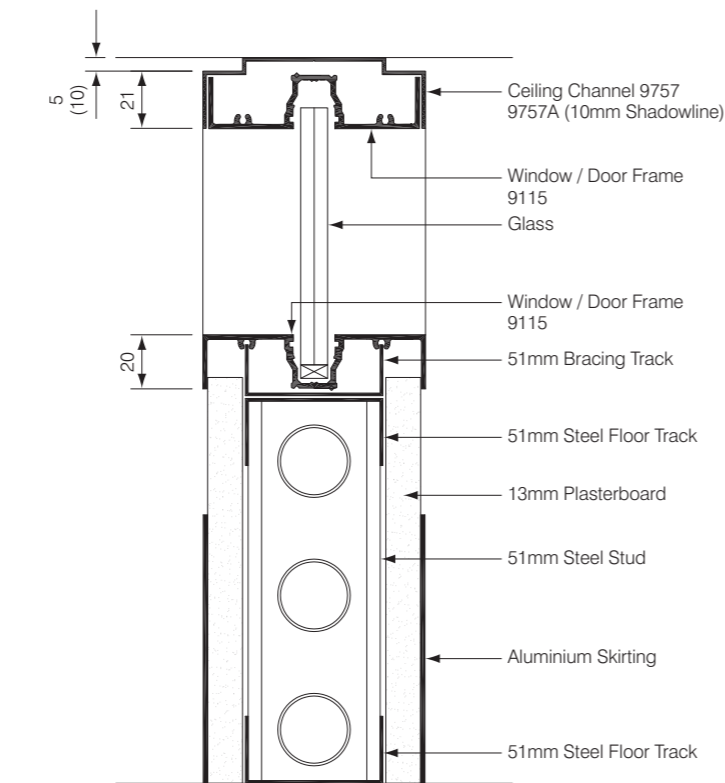
Plan View



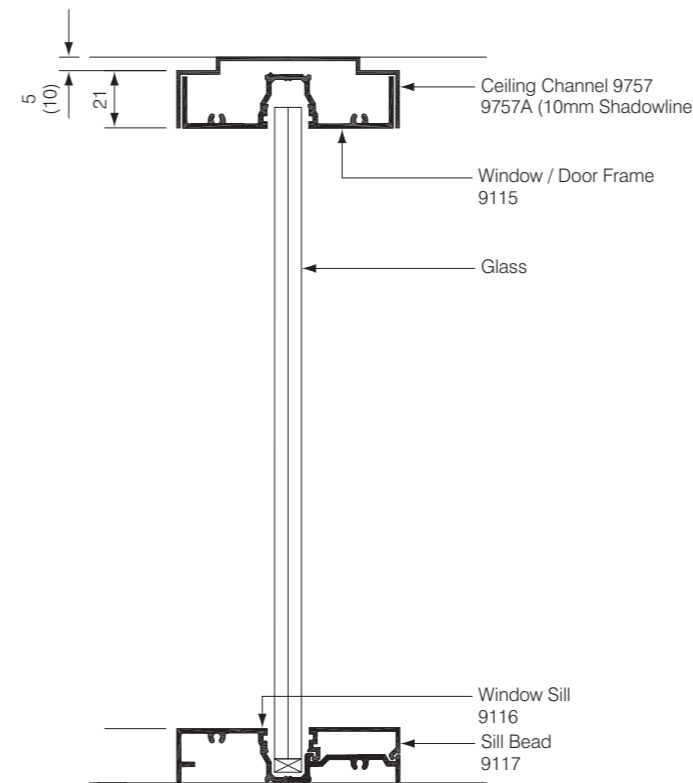
Full Height Plasterboard



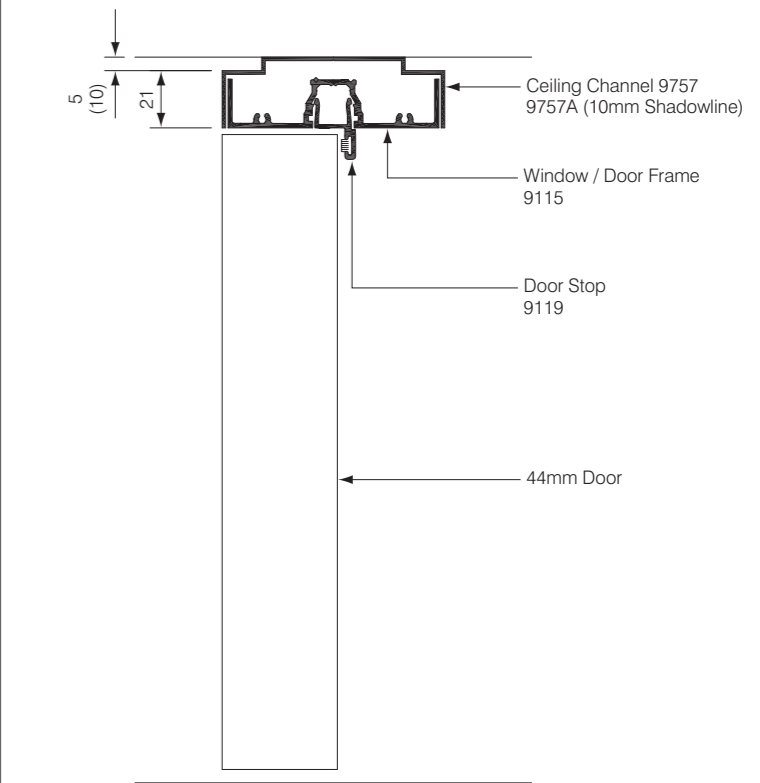
Half Height Centre Glazing



Full Height Centre Glazing

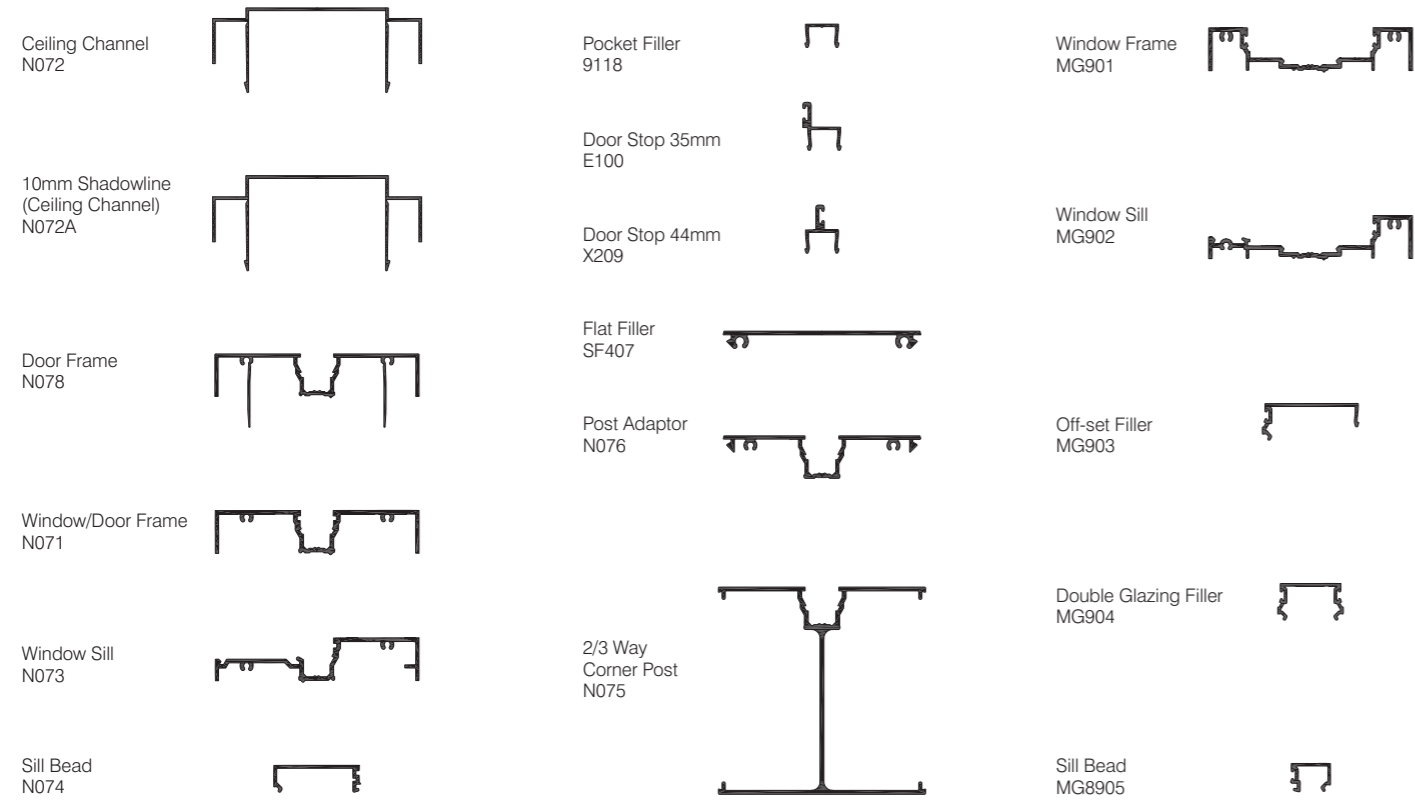


Full Height Door

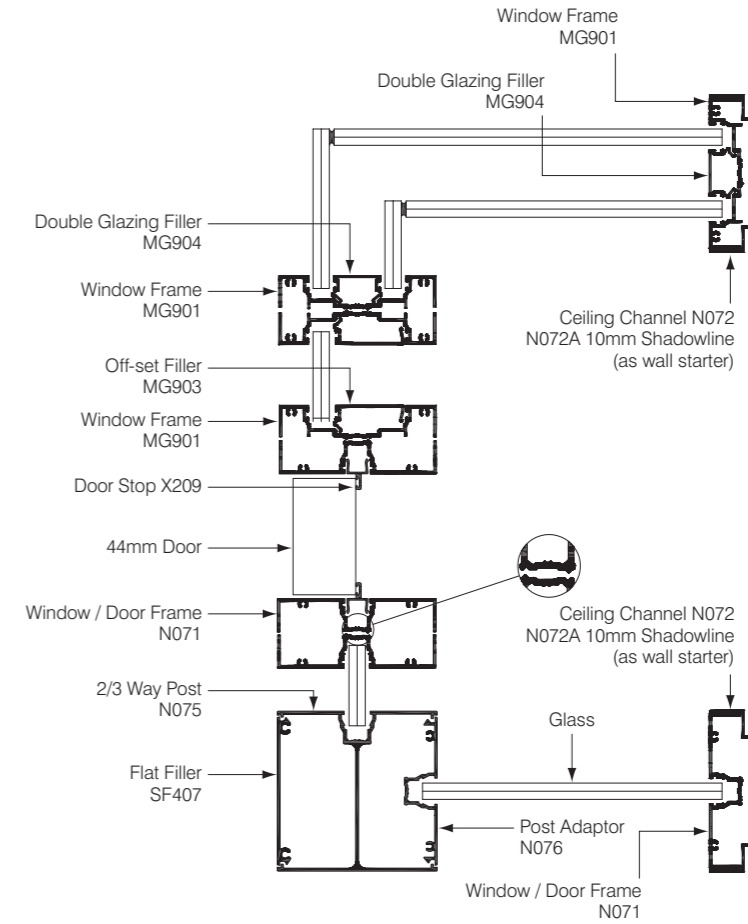


Multiglaze 90

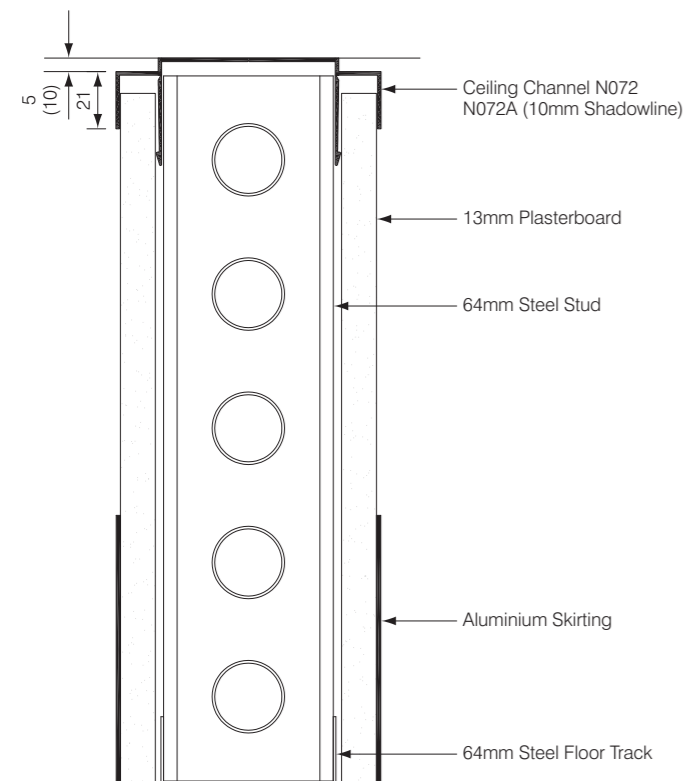
To suit 64mm Studs



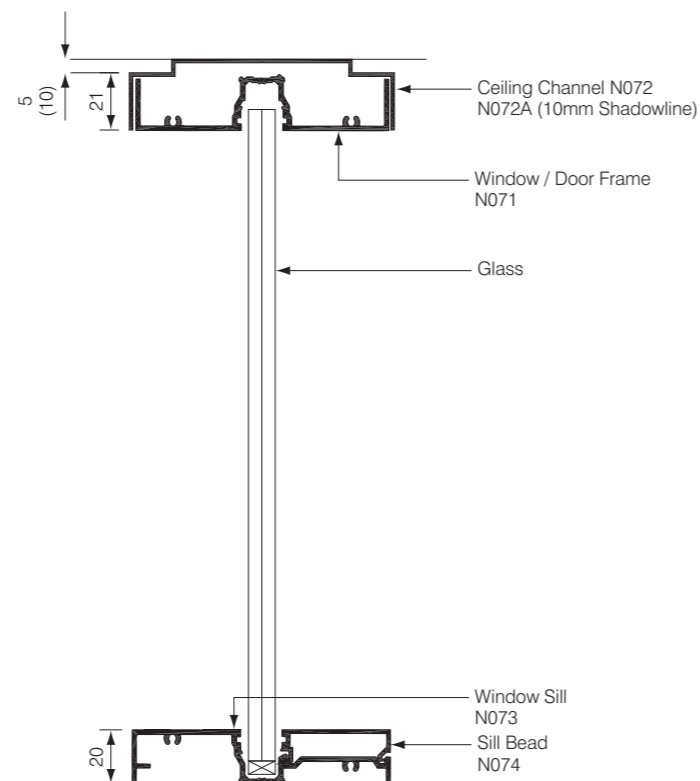
Plan View



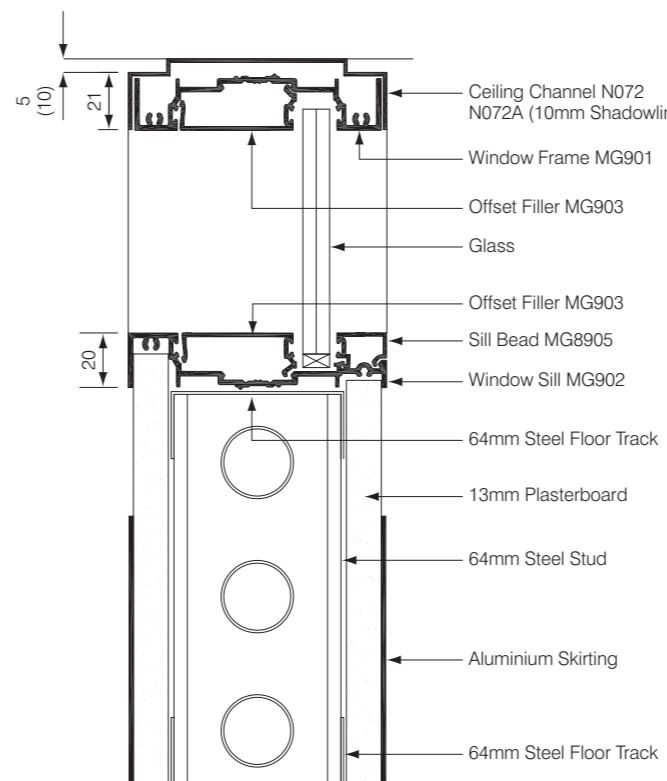
Full Height Plasterboard



Full Height Centre Glazing



Half Height Offset Glazing



Full Height Double Glazing

