

Platinum[®] Suite

The equilibrium
of strength
and design

Criterion Industries

Northcorp Industry Park
15 Corporate Place
Broadmeadows Victoria 3047

Telephone 03 9355 0700
Facsimile 03 9355 0777

sales@criterionindustries.com.au
www.criterionindustries.com.au



Platinum Suite

The Platinum suite offers a broad range of partition suite options. With its architectural flavour, the various suites can either be used in their own right, or in combination. A uniform 35mm reveal presents a crisp, streamlined finish and a professional result within any building.

All four systems incorporate the heavy duty door frames with the three point fixing design. This further contributes to the system's strength and rigidity.

Platinum 110 is the most recent addition to the Platinum range, and has been designed to suit 10mm plasterboard. This has increased the versatility of the suite, and allows the frame to be readily used in industrial and residential applications.

Specifications and photos of the Platinum 90, 105, 110 and 120 suites are contained within this brochure.

Take a look inside and discover 'the equilibrium of strength and design'.



Platinum 90

The equilibrium of strength and design.

The Platinum 90 suite incorporates 64mm studs with 13mm plasterboard. This popular suite offers three glazing options; centre glazed, offset glazed and double glazed. Whilst centre glazed is most commonly used, the offset glazed option creates an expansive sensation, and provides practical benefits such as the ability to incorporate blinds within the frame to increase privacy. All three glazing options are

interchangeable. Double glazing provides additional acoustic benefits, and has proved to be a very popular option in locations where sound reduction is important. Executive office suites and windows into the warehouse are two zones where sound reduction is a priority.

Features of the Platinum 90

- Offers acoustic performance
- Estimated sound rating for solid plasterboard walls:
RW 35 – (without insulation)
RW 40 – (with CAB3 Polyester Insulation);

Provides two plasterboard options:

- 64mm studs with a single skin of 13mm plasterboard on either side of the stud; and
- 51mm studs with a double skin of 13mm plasterboard on one side of the stud and a single

skin on the other;

- Glazing pocket incorporates 6mm to 10mm glass;
- Door Stop options allow for 35mm or 44mm doors;
- Glazing pocket accepts either a captive wedge or silicone glazing options; and
- Window/Door frames and Ceiling Channel accommodates gussets providing enhanced joining capabilities.





Platinum 105

The equilibrium of strength and design.

The Platinum 105 suite incorporates 76mm studs with 13mm plasterboard. This suite allows for a combination of plasterboard skins, enhancing the acoustic capacity of the wall. This suite is also compatible with the Campaspe Cavity Door Unit – a member of the Cascade Sliding Door System.

Its ability to incorporate 76mm steel or metal studs provides extra scope for load bearing capabilities. With the crisp Platinum 35mm reveal, the 105 suite can be used in combination with any of the other Platinum suites.

Features of the Platinum 105

- Provides three plasterboard options:
 - 76mm studs with a single skin of 13mm plasterboard on either side of the stud;
 - 64mm studs with a double skin of 13mm plasterboard on one side of the stud and a single skin on the other;
 - 51mm studs with a double skin of 13mm plasterboard on either side of the stud;
- Glazing pocket incorporates 6mm to 10mm glass;
- Door Stop options allow for 35mm or 44mm doors;
- Glazing pocket accepts either a captive wedge or silicone glazing options; and
- Window/Door frames and Ceiling Channel accommodates gussets providing enhanced joining capabilities.





Platinum 110

The equilibrium of strength and design.

The Platinum 110 incorporates 92mm studs with 10mm plasterboard. Our latest addition to the series, boasts an innovative door jamb that sets it apart from traditional methods. Designed to be used residentially or commercially, the 110 frame is an all-purpose solution.

The 110 specifically focuses on door and window framing that displays a slim-line finish which is both visually appealing and

robust. Door and window frame fabrication can simply be done onsite or prior to delivery.

A unique feature of this suite is the heavy duty door stop, which incorporates either 38mm or 44mm doors.

The aluminium can be finished in a variety of anodising or powdercoat colours, eliminating the need for the frames to be painted on site.

Features of the Platinum 110

- Suits both 92mm steel studs or 90mm timber studs with 10mm plasterboard;
- Allows structural columns and plumbing to be incorporated within the cavity;
- Door Stop options allow for 35mm or 44mm doors also with the option of the heavy duty Door Stop which suits 38mm or 44mm doors; and
- Glazing pocket incorporates 6mm to 10mm glass.





Platinum 120

The equilibrium of strength and design.

The Platinum 120 suite incorporates 92mm studs with 13mm plasterboard. This is the largest of the Platinum suites, providing extra cavity space for insulation, structural columns or plumbing.

This versatile suite offers three glazing options; centre glazed, offset glazed and double glazed. The double glazed option provides outstanding acoustics results. In addition, the Platinum 120 is compatible with the Artesian Cavity Unit –

the prestigious cavity unit with aluminium reveals. The 35mm reveal of the cavity matches the reveal on the Platinum suites, allowing for a combination of hinged and sliding doors to be used throughout the project, without detracting from the visual consistency of the suite. Its ability to incorporate 90mm studs allows for the use of timber studs, and provides extra scope for load bearing capabilities.

Features of the Platinum 120

- Estimated sound rating of:
RW 36 – (without insulation)
RW 42 – (with CAB4 Polyester Insulation).

(Figures are based on single layers of plasterboard; increase of layers will in turn boost the rating);

- Provides the maximum variety of plasterboard options;

- 92mm studs with a single skin of 13mm plasterboard on either side of the wall;
- 76mm studs with a double skin of 13mm plasterboard on one side of the wall and a single skin on the other;

- 64mm studs with a double skin of 13mm plasterboard on either side of the wall;

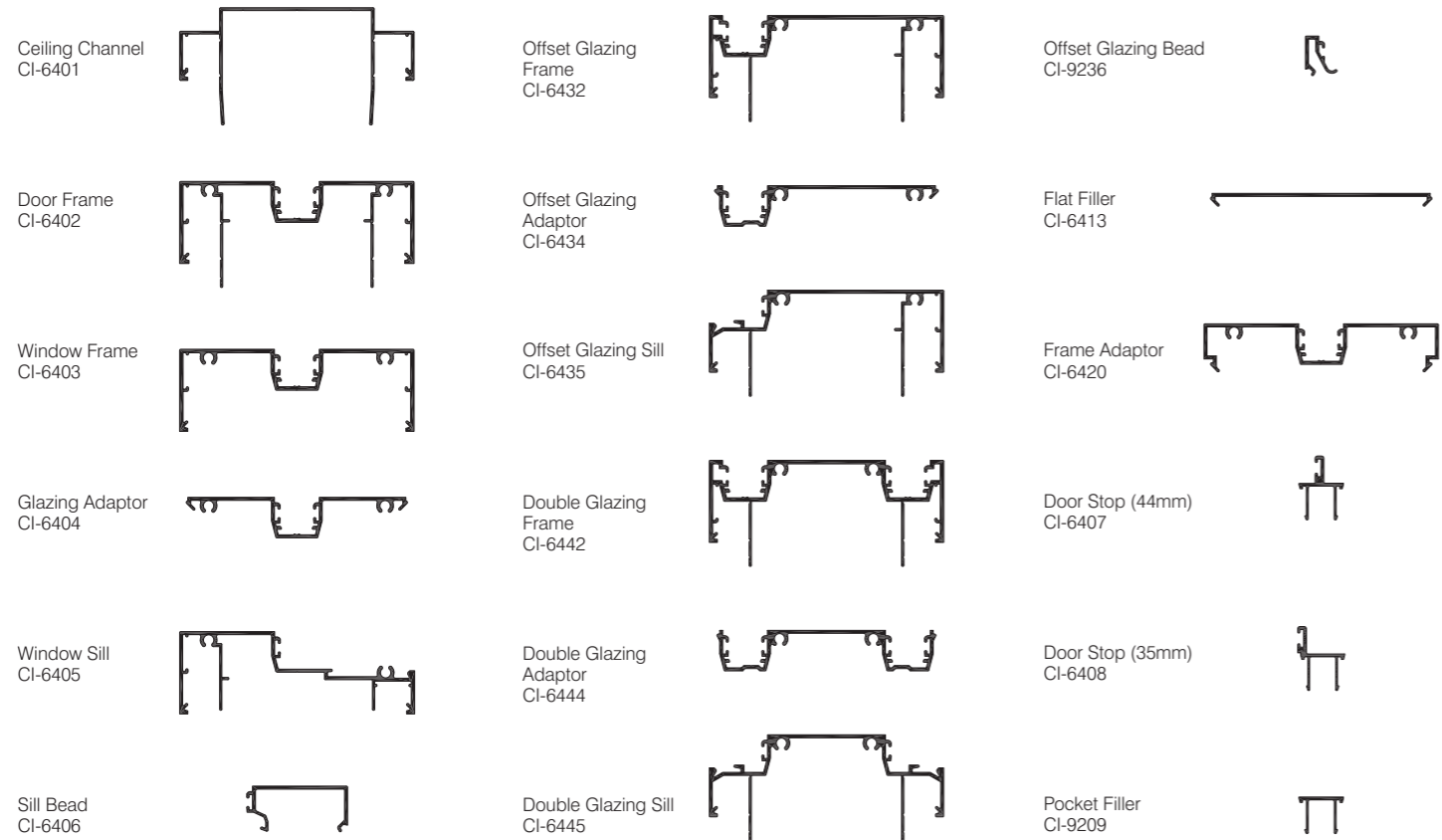
- 51mm studs with a triple skin of 13mm plasterboard on one side of the wall, and a double skin on the other;

- Suites both 92mm steel studs or 90mm timber studs;
- Allows structural columns and plumbing to be incorporated within the cavity;
- Glazing pocket incorporates 6mm to 10mm glass;
- Door Stop options allow for 35mm or 44mm doors;
- Glazing pocket accepts either a captive wedge or silicone glazing options;
- Incorporates the Artesian Cavity Unit; and
- Window/Door frames and Ceiling Channel accommodates gussets providing enhanced joining capabilities.



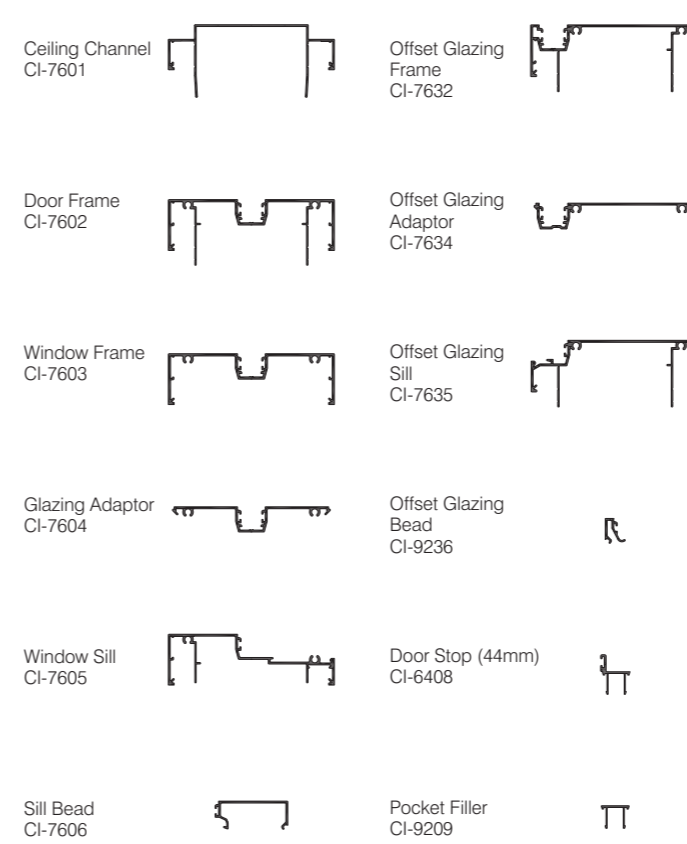
Platinum 90

To suit 64mm Studs

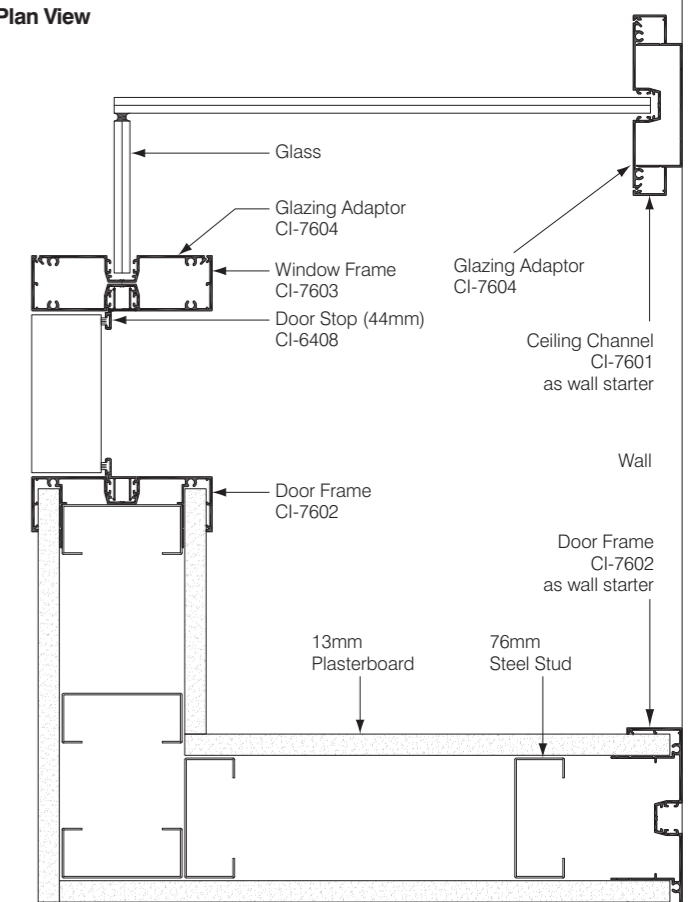


Platinum 105

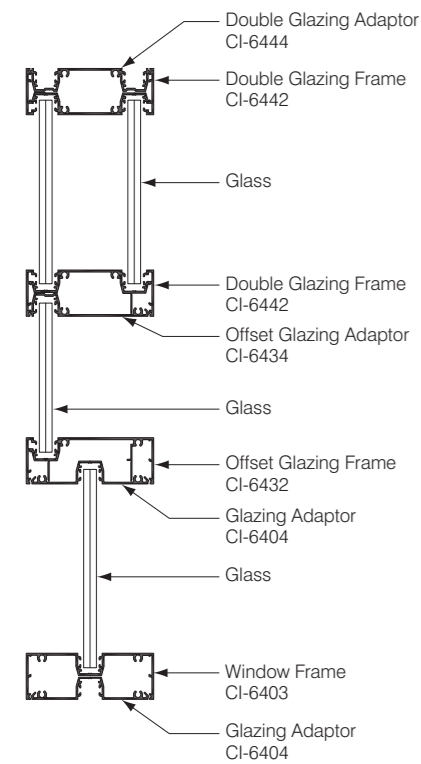
To suit 76mm Studs



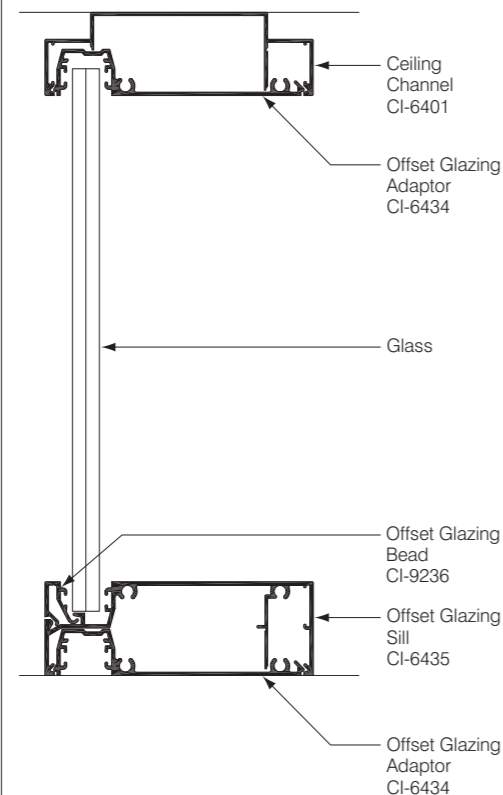
Plan View



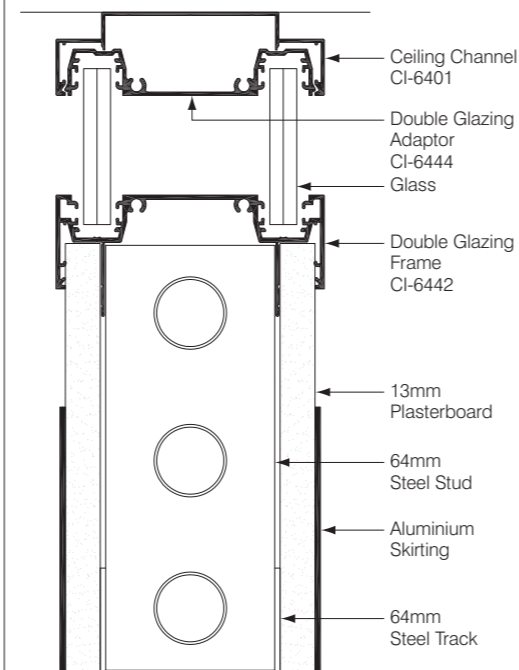
Plan View



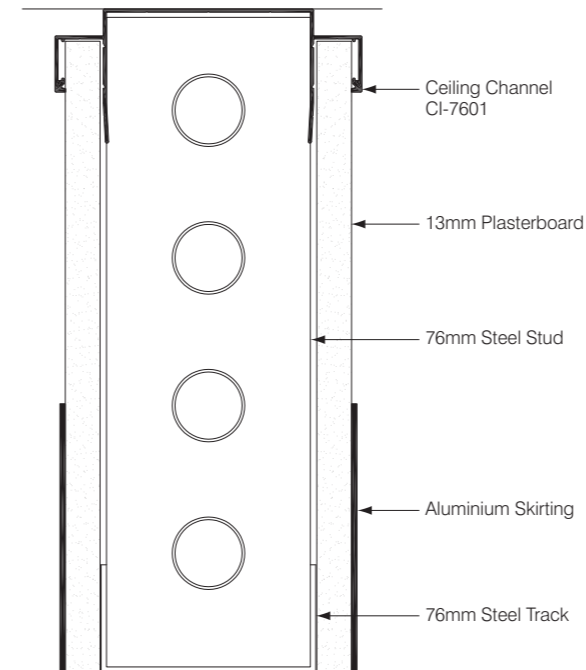
Full Height Offset Glazing



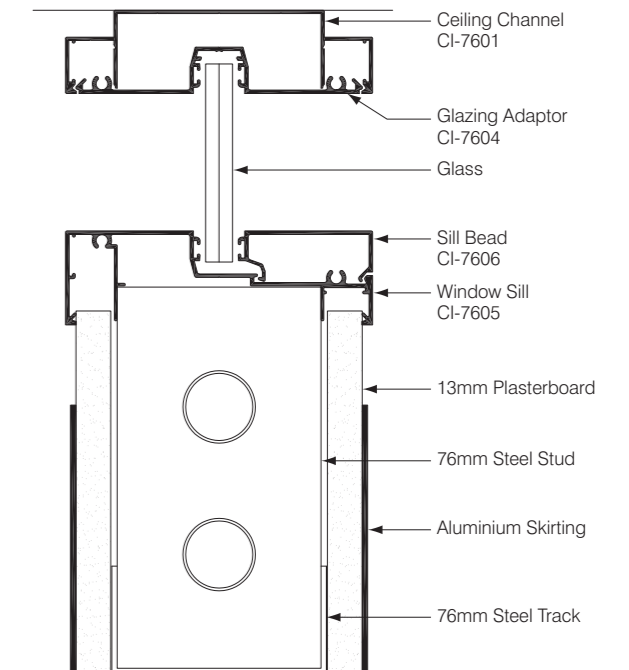
Half Height Double Glazing



Full Height Solid

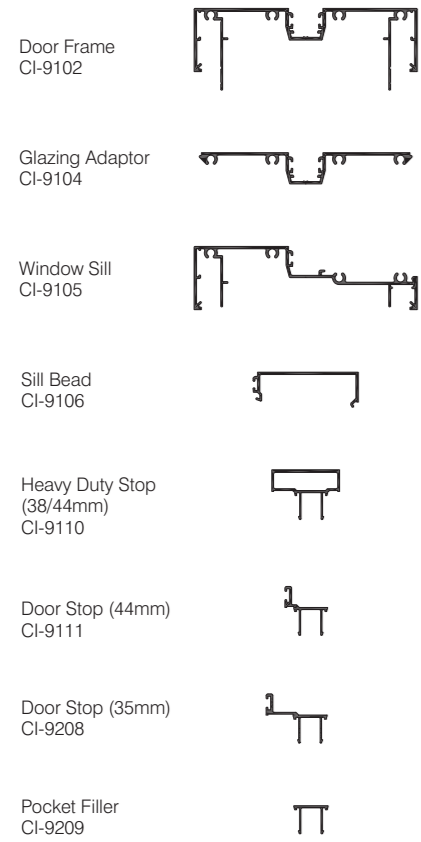


Full Height Glazing

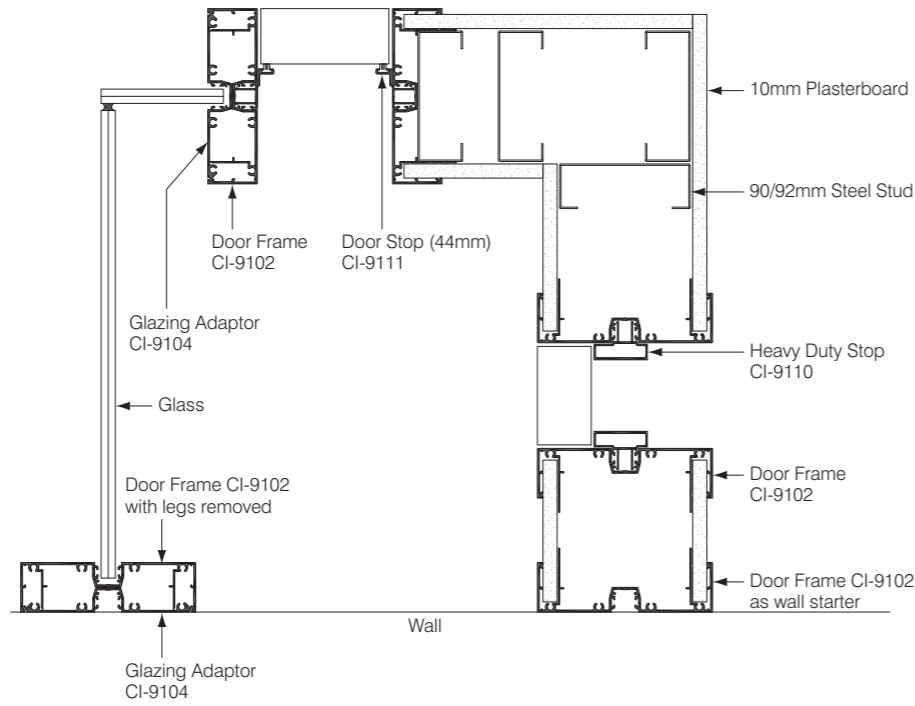


Platinum 110

To suit 92mm Studs / 10mm Plasterboard

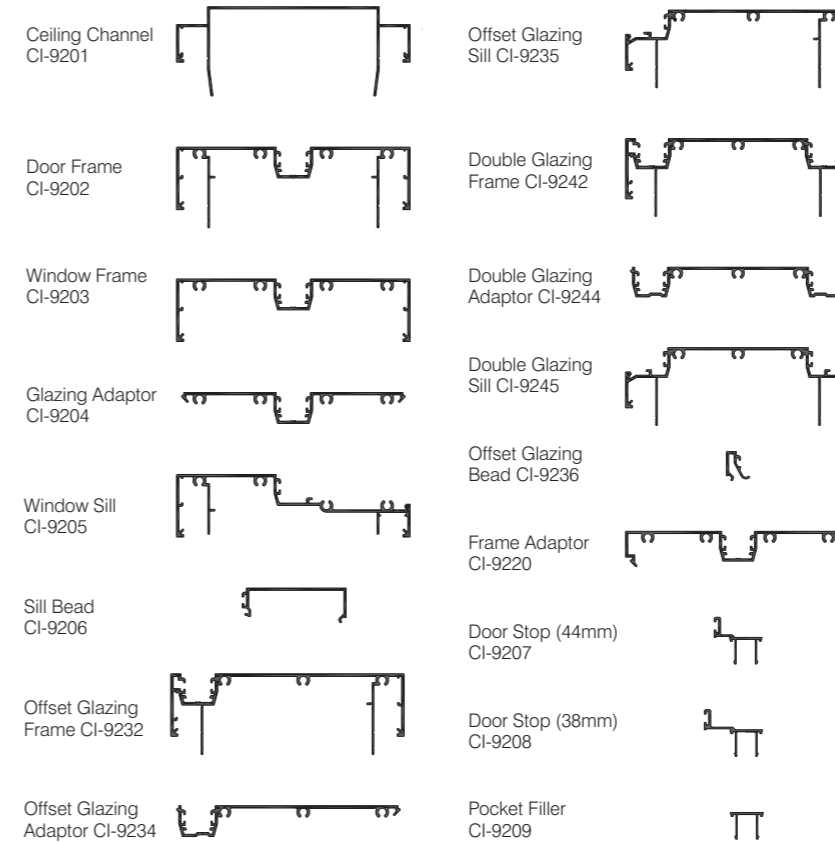


Plan View

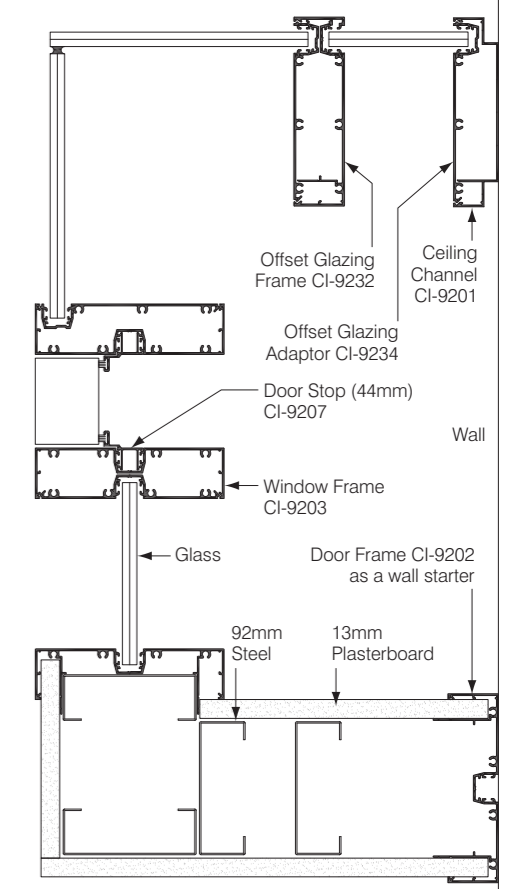


Platinum 120

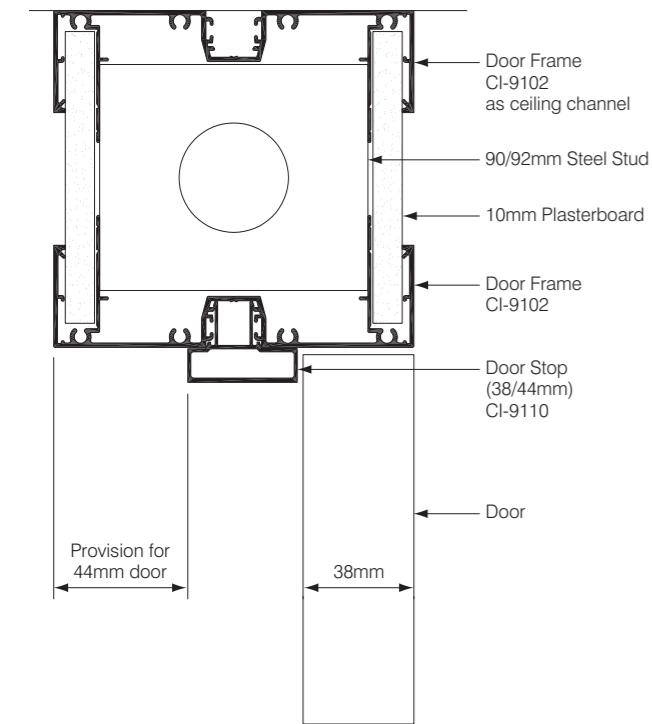
To suit 92mm Studs



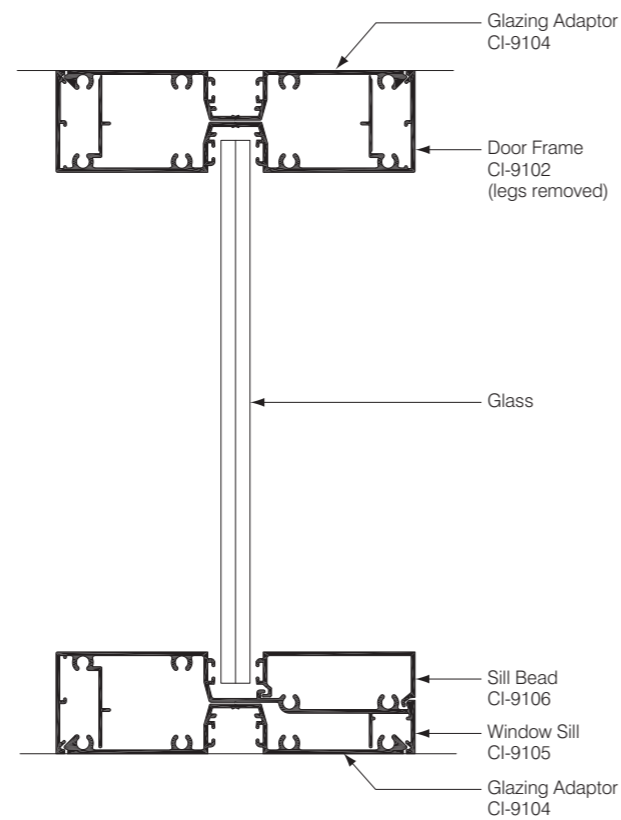
Plan View



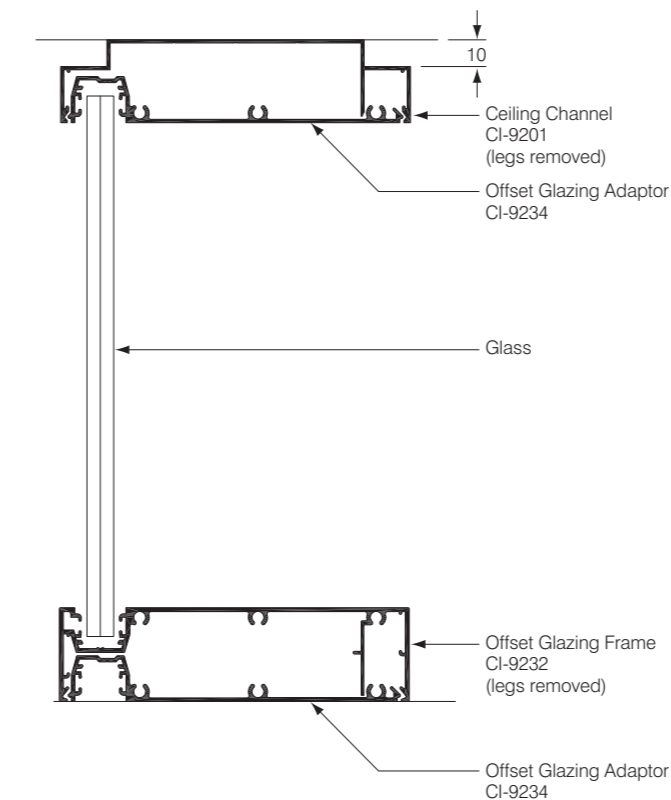
Low Height Door



Full Height Glazing



Full Height Offset Glazing



Full Height Door

